



# LOKSERT® - INSTALLATION POWERTOOL

HYDRO-PNEUMATIC INSALLATION TOOL FOR LOKSERT®

- ADJUSTABLE OIL PRESSURE
- ONE- BUTTON OPERATION

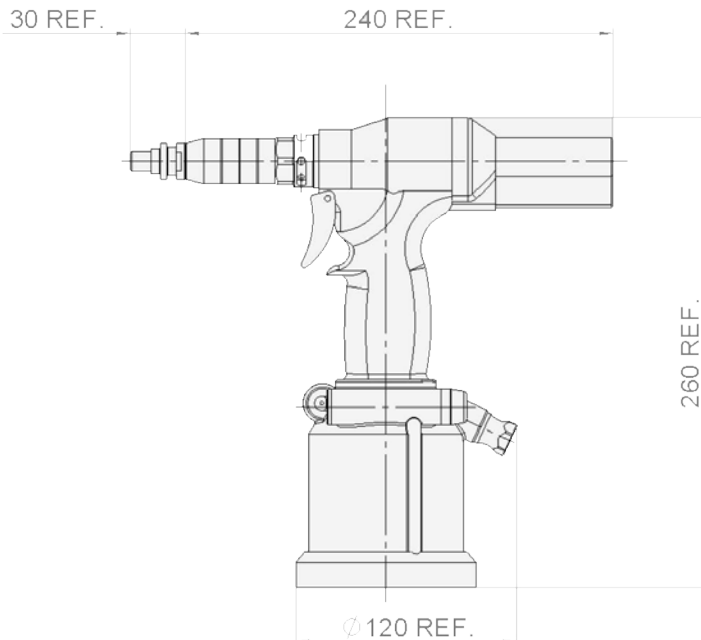
The hydro-pneumatic tool 3700-MIP1 is designed to install LOKSERTS® from sizes M5 to M12, and #10 to 1/2 unified. For each size a specific nose-assembly is required.

Individual adjustments can be made with the integrated force control depending on LOKSERT® size or type (hardness) of the surrounding material.

The one-button operation makes it easy to operate and the installation is quick, consistent and reliable.

The hydro-pneumatic system is low maintenance, ergonomic and lightweight.

The Powertool 3700-MIP1 and appropriate nose-assemblies have to be ordered individually.



### Technical Data

air pressure	6 bar
min. / max. air pressure	5/7 bar
consumed air volume per cycle	5 lt
tool stroke	6,5mm
max. setting force	19.000 N
weight	1,8 kg
vibration	< 2,5m/s <sup>2</sup>
sound level	76 dB (A)



CrossroadDistributorSource.com  
 Sales@Crossroad.bz  
 317.723.5050 | 317.723.5052

PART NUMBERS & DESCRIPTIONS	
<b>PNEUMATIC INSTALLATION TOOL</b>	<b>DESCRIPTION</b>
3700-MIP1	Loksert Pneumatic Installation Tool
<b>THINWALL METRIC COARSE</b>	<b>DESCRIPTION</b>
3720-5.00TWMIP	Loksert Front End Assembly for M5 X 0.8 MC Thin Wall
3720-6.00TWMIP	Loksert Front End Assembly for M6 X 1 MC Thin Wall
3720-8.00TWMIP	Loksert Front End Assembly for M8 X 1.25 MC Thin Wall
3720-10.00TWMIP	Loksert Front End Assembly for M10 X 1.5 MC Thin Wall
3720-12.00TWMIP	Loksert Front End Assembly for M12 X 1.75 MC Thin Wall
<b>HEAVY DUTY METRIC COARSE</b>	<b>DESCRIPTION</b>
3720-4.00HDMIP	Loksert Front End Assembly for M4 X 0.7 MC Heavy Duty
3720-5.00HDMIP	Loksert Front End Assembly for M5 X 0.8 MC Heavy Duty
3720-6.00HDMIP	Loksert Front End Assembly for M6 X 1 MC Heavy Duty
3720-8.00HDMIP	Loksert Front End Assembly for M8 X 1.25 MC Heavy Duty
3720-10.00HDMIP	Loksert Front End Assembly for M10 X 1.5 MC Heavy Duty
3720-12.00HDMIP	Loksert Front End Assembly for M12 X 1.75 MC Heavy Duty
<b>THINWALL UNJC</b>	<b>DESCRIPTION</b>
3732-10GTWMIP	Loksert Front End Assembly for 10-24 UNJC Thin Wall
3732-1/4TWMIP	Loksert Front End Assembly for 1/4-20 UNJC Thin Wall
3732-5/16TWMIP	Loksert Front End Assembly for 5/16-18 UNJC Thin Wall
3732-3/8TWMIP	Loksert Front End Assembly for 3/8-16 UNJC Thin Wall
3732-7/16TWMIP	Loksert Front End Assembly for 7/16-14 UNJC Thin Wall
3732-1/2TWMIP	Loksert Front End Assembly for 1/2-13 UNJC Thin Wall
<b>HEAVY DUTY UNJF</b>	
3734-10GTWMIP	Loksert Front End Assembly for 10-32 UNJF Thin Wall
<b>HEAVY DUTY UNJC</b>	<b>DESCRIPTION</b>
3732-10GHDMIP	Loksert Front End Assembly for 10-24 UNJC Heavy Duty
3732-1/4HDMIP	Loksert Front End Assembly for 1/4-20 UNJC Heavy Duty
3732-5/16HDMIP	Loksert Front End Assembly for 5/16-18 UNJC Heavy Duty
3732-3/8HDMIP	Loksert Front End Assembly for 3/8-16 UNJC Heavy Duty
3732-7/16HDMIP	Loksert Front End Assembly for 7/16-14 UNJC Heavy Duty
3732-1/2HDMIP	Loksert Front End Assembly for 1/2-13 UNJC Heavy Duty
<b>HEAVY DUTY UNJF</b>	<b>DESCRIPTION</b>
3734-10GHDMIP	Loksert Front End Assembly for 10-32 UNJF Heavy Duty
<b>EXTRA HEAVY DUTY</b>	<b>DESCRIPTION</b>
3732-3/8XHDMIP	Loksert Front End Assembly for 3/8-16 UNJC Extra Heavy Duty



Please contact us for any sizes not listed



CrossroadDistributorSource.com  
 Sales@Crossroad.bz  
 317.723.5050 | 317.723.5052